

# DM2282-IO-24 2-phase Speed Control Stepper Drive

80-250VAC, 0.5-8.2A peak current, Auto-configuration, Low Noise

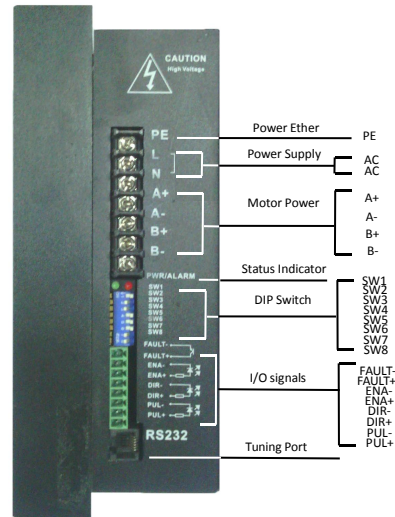
## Features

- External I/O signal control mode, with 24VDC
- DIP switch setting drive's output current and motor speed
- PUL+ and PUL- signals indicate Start and Stop
- DIR+ and DIR- signals indicate motor running direction
- Alarm output, max 30Vdc / 100mA
- Matched with NEMA 34, 42, 51 stepper motors

## Power Supply Connection

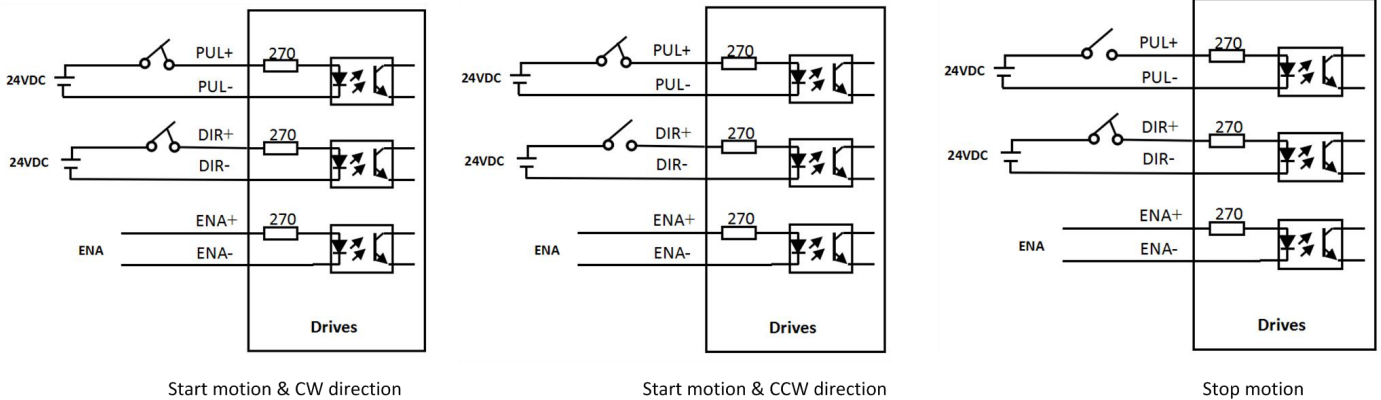
- Rang 80-250VAC, recommend L&N connect to 180-230VAC power supply, higher power voltage brings better performance at high speed.
- Recommend PE connect with the ground of equipment.

## DM2282-IO-24 Interface



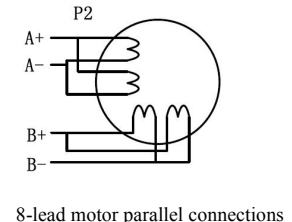
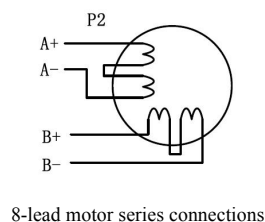
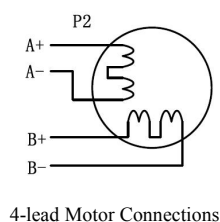
## I/O Signals Connection

- The I/O signals connections are as below, PUL signals indicate Start/Stop function, DIR signals indicate motor running direction, ENA signals indicate lock the motor shaft (no need to be connected by default)
- Control signals voltage is 24VDC.



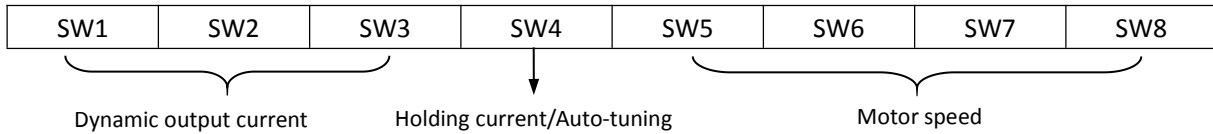
## Motor Connection

- DM2282-IO-24 can match with Leadshine 2-phase stepper motor, size include NEMA34, 42, 51
- The motor connections are shown as below



## DIP Switch Setting

- DM2282-IO-24 has 8-bit DIP switches, functions as below:



- Output current setting (3-bit)

| Peak    | RMS  | SW1 | SW2 | SW3 |
|---------|------|-----|-----|-----|
| Default |      | off | off | off |
| 2.2A    | 1.6A | on  | off | off |
| 3.2A    | 2.3A | off | on  | off |
| 4.2A    | 3.2A | on  | on  | off |
| 5.2A    | 3.7A | off | off | on  |
| 6.3A    | 4.4A | on  | off | on  |
| 7.2A    | 5.2A | off | on  | on  |
| 8.2A    | 5.9A | on  | on  | on  |

- Motor speed setting (4-bit)

| Motor Speed (RPM) | SW5 | SW6 | SW7 | SW8 |
|-------------------|-----|-----|-----|-----|
| 100               | on  | on  | on  | on  |
| 150               | off | on  | on  | on  |
| 250               | on  | off | on  | on  |
| 350               | off | off | on  | on  |
| 450               | on  | on  | off | on  |
| 550               | off | on  | off | on  |
| 650               | on  | off | off | on  |
| 750               | off | off | off | on  |
| 850               | on  | on  | on  | off |
| 950               | off | on  | on  | off |
| 1050              | on  | off | on  | off |
| 1150              | off | off | on  | off |
| 1250              | on  | on  | off | off |
| 1350              | off | on  | off | off |
| 1450              | on  | off | off | off |
| 1500              | off | off | off | off |

- Holding current/Auto-tuning (SW4)

“Off” means holding current is 60% of dynamic current, while “on” means 100%.

Switch “SW4” two times in two seconds will activate parameter Auto-configuration for current loop.

**Note:** This drive is only suitable for long-term constant speed applications, not for applications with frequent speed adjustment.



Be sure to read this manual carefully before trying to install and use the product.

Be sure to check the connections and make sure the power lead polarity is correct, or there could result in injury or fire.

Be sure to ground the earth terminal of the motor and drive without fail, or there could result in electrical shock.

Be sure to mount the load after making sure the motor work well without load, or there could result in some accident.

Be sure to turn off power and wait for 10 minutes or longer after LED display of the front panel has gone off, and then you can transporting, wiring and inspecting the drive, or there could result in electrical shock or fire.

Be sure to install an emergency stop circuit externally so that you can stop the operation and shut off the power immediately, or there could result in some accident.

Be sure to give the power supply voltage does not exceed the drive’s input range, or there could result in burning out drive and motor.

**Web:** <http://www.leadshine.com>

**Sales:** [sales@leadshine.com](mailto:sales@leadshine.com)

**Support:** [tech@leadshine.com](mailto:tech@leadshine.com)